

DATE	29/05/2018
AUTHOR SALES GSS	TM
VERSION	2



**DESCRIPTION, PART NO, LABELLING**

**GUN ARTICLE NUMBER, DESCRIPTION AND SPECS**

<b>PART NO. ALTACHEM</b>	<b>822012</b>
<b>ARTICLE DESCRIPTION</b>	<b>CG-HP20 12 Bostik Caulking Gun</b>
<b>PART NO. BOSTIK AB</b>	<b>30860764</b>

GUN SPECS	TYPE	MATERIAL	COLOUR/COATING	REMARKS
RATIO	12:1			
BODY	HP TYPE	ALUMINIUM	BLUE POWDER COATED RAL5011	
TRIGGER	STANDARD	ALUMINIUM	BLUE POWDER COATED RAL5011	RIVET ASSEMBLY
FRAME	OPEN	STEEL	BLUE POWDER COATED RAL5011	
ROD	U SHAPE	STEEL	BLACK COATED	
SUPPORT PLATE	DIAMETER 41,5 MM	STEEL	ZINC COATED	
CATCH MEMBER		HD STEEL		PR: 6000 N
LOCKING PLATE	AUTOMATIC	STEEL	ZINC COATED	
LOGO	BOSTIK LOGO WHITE TAMPON-PRINT - SIZE 35 X 15 MM - ON FRAME, LEFT-HAND SIDE, MIDDLE			
SERIAL NUMBER	LASER			ON THE FRAME
ACCESSORIES	NO ACCESSORIES			



Your Innovation Partner



DATE 29/05/2018  
 AUTHOR TM  
 VERSION 2



**PACKAGING AND LABELLING**

**PART NO. ALTACHEM 822012**

**POLYBAG, INNER BOX AND MASTER-CARTON**

**POLYBAG**

**CONTENT**  
**COLOUR**  
**DIMENSIONS**

1 GUN  
 TRANSPARENT  
 44 x 25 CM

**LABEL**  
**DIM.** 75 x 85 MM  
**COLOUR** B/W

**INNER BOX**

**CONTENT**  
**COLOUR**  
**DIMENSIONS**

6 GUNS  
 BROWN  
 37 X 27 X 15,5CM

**DIM.** 75 x 85 MM  
**COLOUR** B/W

**MASTER-CARTON**

**CONTENT**  
**COLOUR**  
**DIMENSIONS**

2 INNER BOXES (= 12 GUNS)  
 BROWN  
 56,5 X 38,5 X 17,5CM

**DIM.** 75 x 85 MM  
**COLOUR** B/W

**ILLUSTRATIONS**

**POLYBAG LABEL**

BOSTIK MAXI SEALANT GUN  
 Art nr. 30860764  
  
 7 3 1 1 0 2 0 0 7 7 6 8 6 >  
 Bostik AB, Box 903, Strandbadsv 22  
 251 09 Helsingborg, SE – [www.bostik.se](http://www.bostik.se)  
 Bostik BV, De Voerman 8,  
 5215 MH, 's Hertogenbosch, NL – [www.bostik.nl](http://www.bostik.nl)  
 Bostik Belux SA – NV, Meulestedekaai 86  
 B-9000 Gent, BE – [www.bostik.be](http://www.bostik.be)

**INNER BOX LABEL**

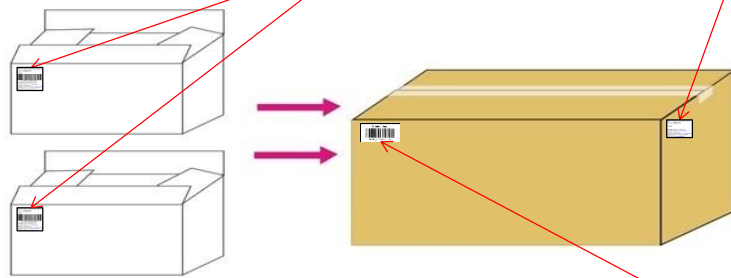
BOSTIK MAXI SEALANT GUN  
 Art nr. 30860764  
 6 PCS  
  
 67311020077688  
 Bostik AB, Box 903, Strandbadsv 22  
 251 09 Helsingborg, SE – [www.bostik.se](http://www.bostik.se)  
 Bostik BV, De Voerman 8,  
 5215 MH, 's Hertogenbosch, NL – [www.bostik.nl](http://www.bostik.nl)  
 Bostik Belux SA – NV, Meulestedekaai 86  
 B-9000 Gent, BE – [www.bostik.be](http://www.bostik.be)

**MASTER-CARTON LABEL**

BOSTIK MAXI SEALANT GUN  
 Art nr. 30860764  
 12PCS  
 Bostik AB, Box 903, Strandbadsv 22  
 251 09 Helsingborg, SE – [www.bostik.se](http://www.bostik.se)  
 Bostik BV, De Voerman 8,  
 5215 MH, 's Hertogenbosch, NL – [www.bostik.nl](http://www.bostik.nl)  
 Bostik Belux SA – NV, Meulestedekaai 86  
 B-9000 Gent, BE – [www.bostik.be](http://www.bostik.be)

Inner Box: 36,5 x 27 x 16 cm

Master-Carton: 56,5 x 38 x 16 cm



BATCHNUMBER LABEL FOR ALTACHEM INTERNAL WAREHOUSE PURPOSES ONLY

Batchnumber  
  
 123456/V1/12345678/010

Your Innovation Partner



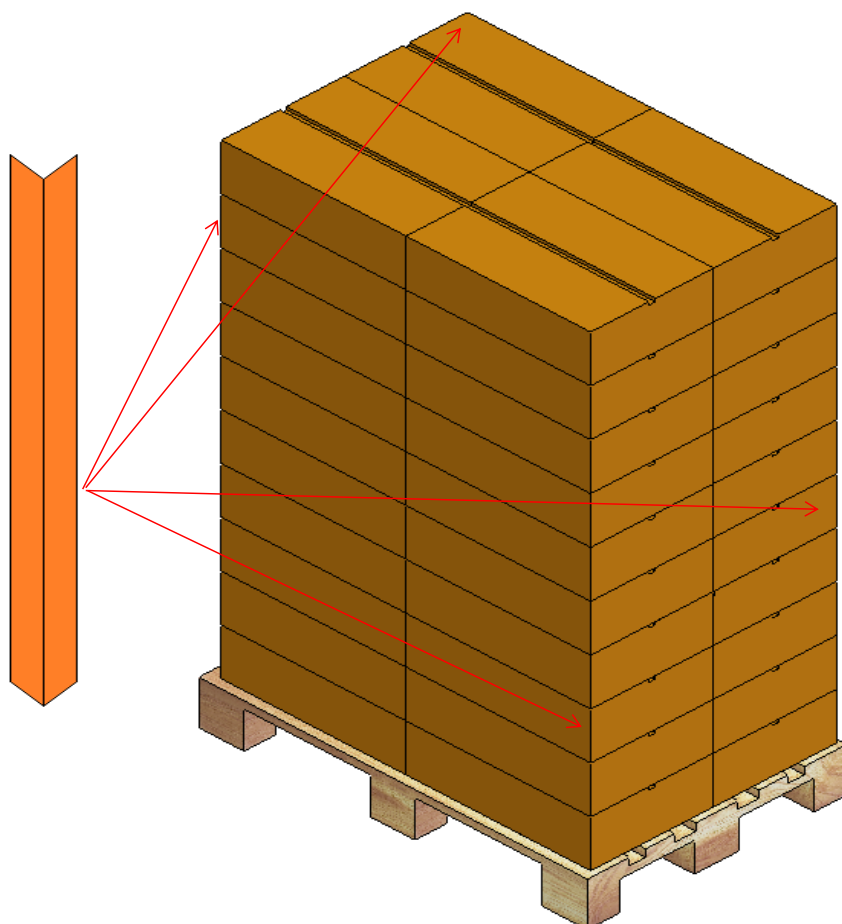
DATE 29/05/2018  
AUTHOR TM  
VERSION 2



## PALLET PACKAGING

**PART NO. ALACHEM: 822012**

QUANTITY GUNS PER POLYBAG	1 PCE
QUANTITY POLYBAGS PER INNER CARTON	6 PCS
QUANTITY INNER CARTONS PER MASTER CARTON	2 PCS (= 12 GUNS )
QUANTITY MASTER CARTONS PER PALLET	40 PCS (= 480 GUNS )
PALLET MATERIAL / TYPE	WOOD / ONE-WAY
PALLET DIMENSIONS	120 x 80 x 15 CM
DIMENSIONS FULL PALLET	120 x 80 x 175 CM
STRETCH FOILED	YES
TOP SHEET	YES
CORNER REINFORCEMENT CARTONS (4 X)	YES



Your Innovation Partner

