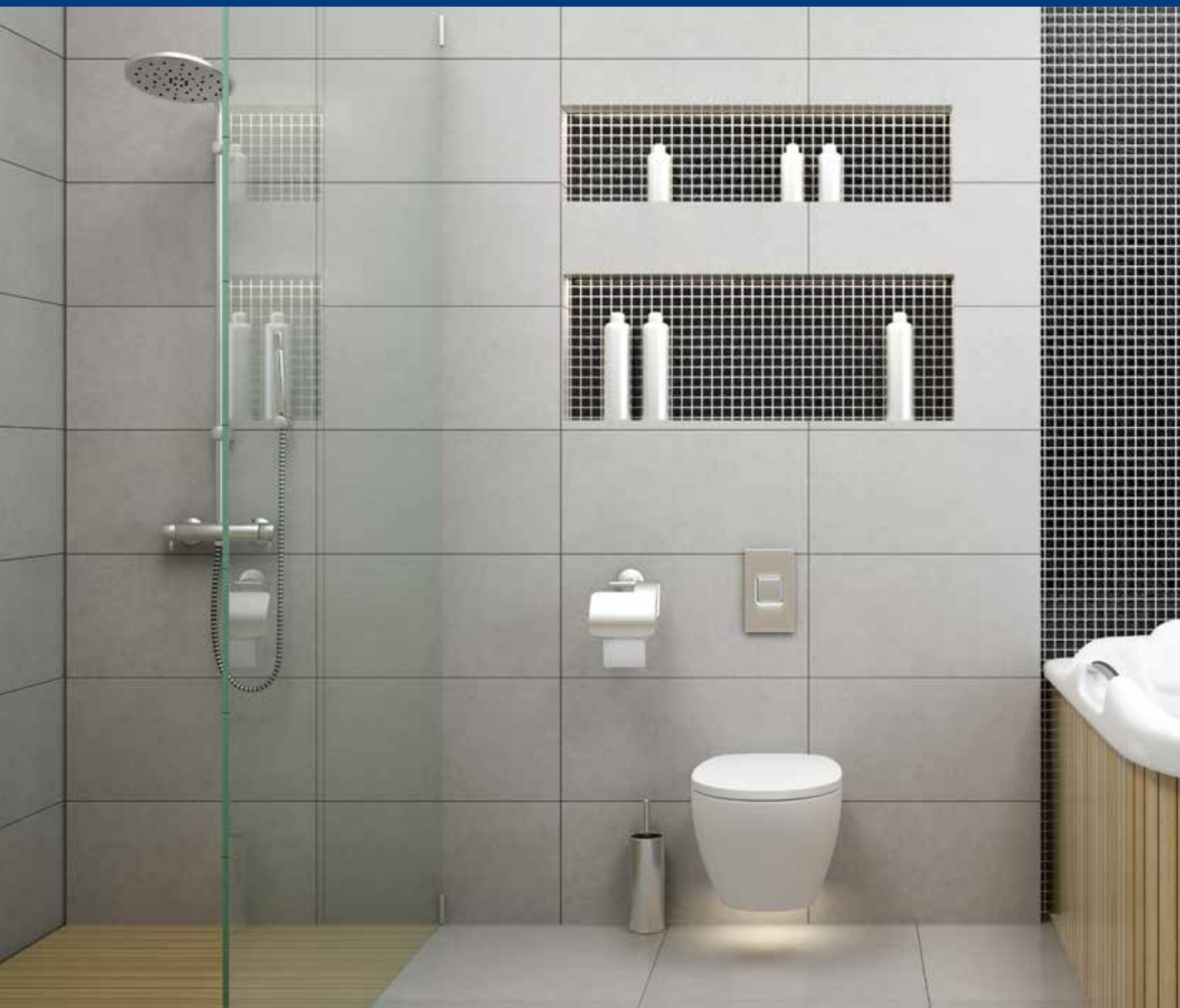




ATTACHED TO YOUR WORLD

DAMPFIX[®] PS
PEEL N STICK
WATERPROOFING SHEET MEMBRANE



NEW Dampfix® Peel N Stick Waterproofing Sheet Membrane waterproof your bathrooms within a day!*

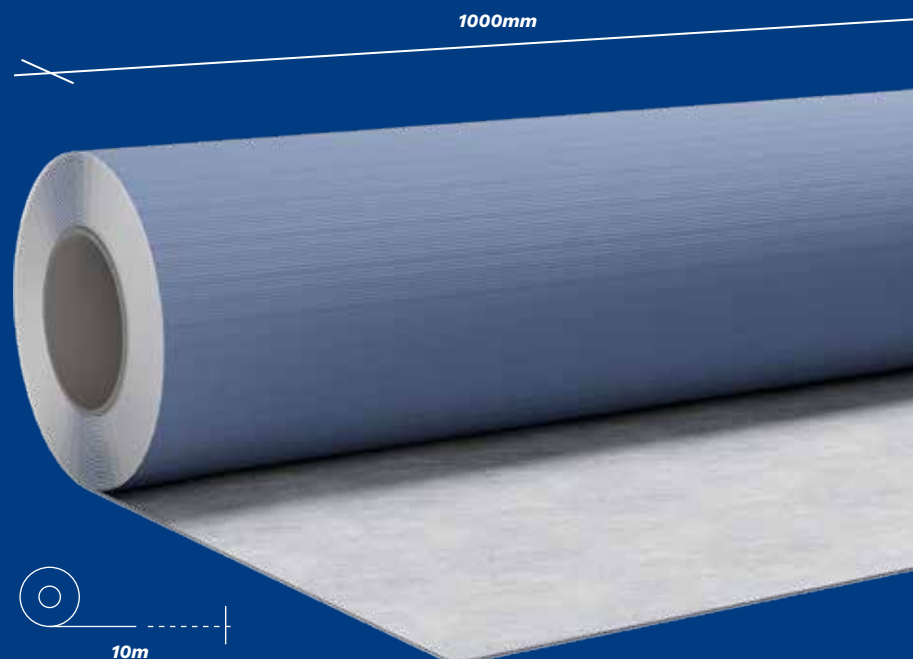
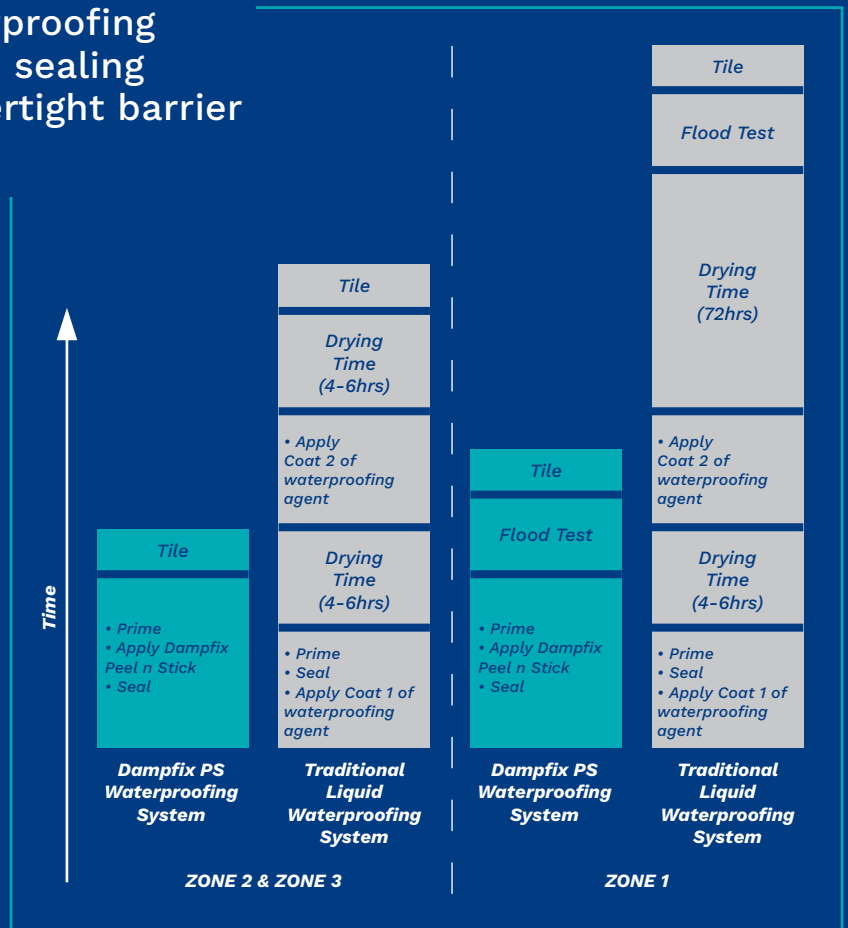
The unique Dampfix® PS Waterproofing System is a complete wetroom sealing solution which provides a watertight barrier on floors and walls.

DAMPFIX® PS WATERPROOFING SHEET MEMBRANE

The innovative design of the Premium Sealing membrane requires no drying and can be tiled directly after laying, reducing installation time*. Suitable for indoor applications like domestic bathrooms and showers.

FEATURES & BENEFITS:

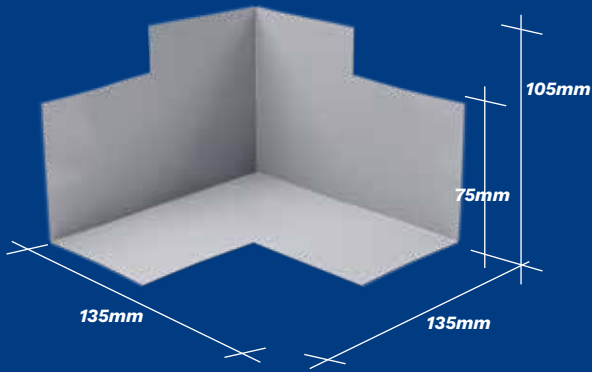
- BRANZ appraised
- No drying time - Tile immediately and directly using approved Bostik tile adhesives
- Flood Test immediately
- No spray-on adhesive - Excellent adhesion to concrete, rendered masonry, wet area plasterboard, FC sheet and plywood
- Solvent free
- No mixing required
- Excellent flexibility and adhesion at all application temperatures
- German engineered



PRODUCT CODE	COLOUR	UNITS/CTN
30620352	Grey	1

*Compared to traditional Liquid Waterproofing Membranes which may need multiple coats and up to 72 hours for flood test.

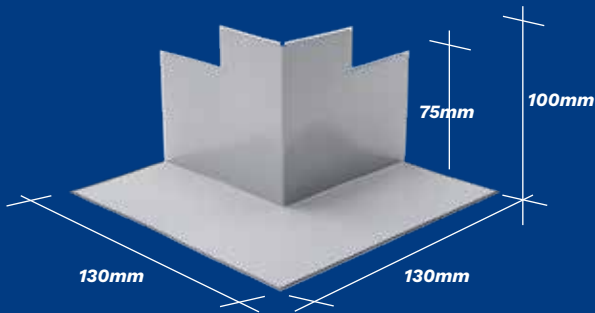
ACCESSORIES



DAMPFIX® PS INTERNAL PREFORMED CORNER:

Self-adhesive internal preformed corner with release liner.

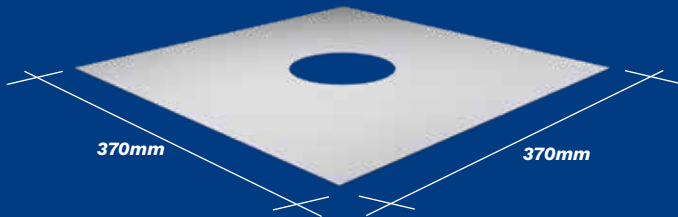
PRODUCT CODE	COLOUR	UNITS/CTN
30620320	Grey	25



DAMPFIX® PS EXTERNAL PREFORMED CORNER:

Self-adhesive external preformed corner with release liner.

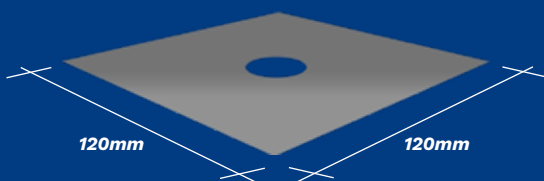
PRODUCT CODE	COLOUR	UNITS/CTN
30620319	Grey	25



DAMPFIX® PS FOIL FLOOR PIPING COLLAR:

Self-adhesive butyl rubber floor piping collar with release liner

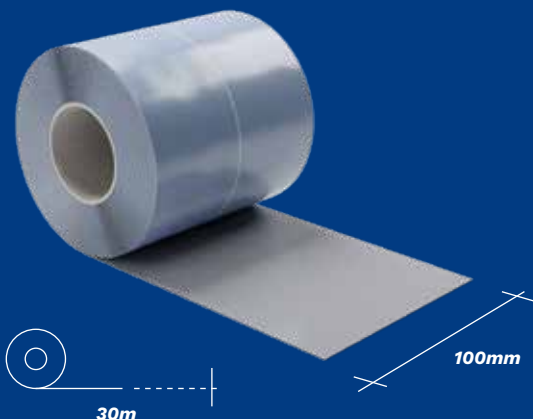
PRODUCT CODE	COLOUR	UNITS/CTN
30623640	Grey	25



DAMPFIX® PS FOIL WALL PIPING COLLAR:

Self-adhesive butyl rubber wall piping collar with release liner

PRODUCT CODE	COLOUR	UNITS/CTN
30623641	Grey	25



DAMPFIX® PS FOIL TAPE:

Self-adhesive butyl rubber coated polyethylene foil with release liner

Release liner with overlaps for easy removal

PRODUCT CODE	COLOUR	UNITS/CTN
30623635	Grey	1

APPLICATION*

1) CLEAN AND EVEN SUBFLOOR AND WALL SURFACES:

- Before applying the membrane and kit parts, the surface should be free from dust, oil, grease and other anti-adhesive components. The area should be even and smooth.
- For porous surfaces, once the surface has been cleaned, **Bostik ASA Multiprime** should be applied as a primer. (Refer to *Bostik Multiprime Technical Data Sheet*)

2) CORNERS:

- First place the internal corners by removing the release paper one at a time. Press the entire surface using a pressure roller. Repeat the process for all Internal and External corners

3) TAPES:

a) Cut the jointing tape to size and, by removing the release paper, seal all wall to floor junctions and wall to wall junctions with a 50 mm overlap on to the corners. Press the entire surface using a pressure roller

b) Starting with the wall, measure 1000 mm intervals on the wall to determine the center positioning of the tape. Cut the tape to size and, starting from the top, center the tape on the marked interval on the wall and overlap onto the wall to floor junction tape.

- Repeat step b) for the floor.

4) MEMBRANE:

- Apply the sheet membrane from the top by positioning it, gradually removing the release paper and pressing it firmly to overlap up to the center of the tape on the wall and finally overlapping the jointing tape at the bottom.

- Apply the next sheet by butting the sheets or leaving a gap of no more than 2 mm. If greater than 2 mm, **Bostik S N F Façade** or **Bostik V 60** sealant is required.

- Repeat the process for the floor.
- Apply the **Bostik S N F Façade** or **Bostik V 60** sealant to any gaps of the membrane and wall to floor junctions if greater than 2 mm.

5) START TILING:

- The tiles can now be laid without any drying time.



For further information or technical advice,
call **0508 222 272** or email nzsales@bostik.com

*Before use refer to current *Technical Data Sheet* and *Safety Data Sheet*