

Waterproof your bathrooms within a day!*

With Bostik's NEW Dampfix® Peel N Stick Waterproofing Sheet Membrane

**Compared to traditional Liquid Waterproofing Membranes which may need multiple coats and up to 72 hours for flood test.*

Features and benefits:

- BRANZ appraised
- No drying time - Tile immediately and directly using approved Bostik tile adhesives
- Flood Test immediately
- No spray-on adhesive - Excellent adhesion to concrete, rendered masonry, wet area plasterboard, FC sheet and plywood
- Solvent free
- No mixing required
- Excellent flexibility and adhesion at all application temperatures
- German engineered

Call **0508 222 272** or email nzsales@bostik.com

For enquiries in Mandarin, Wechat **Bostik2020**

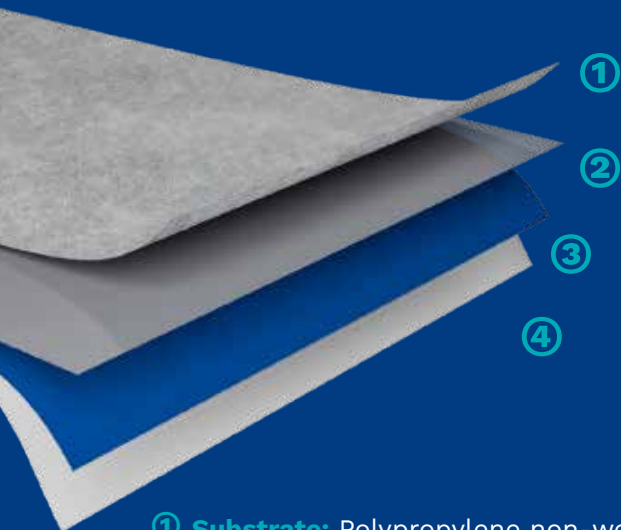
Before use refer to current Technical Data Sheets and Safety Data Sheets



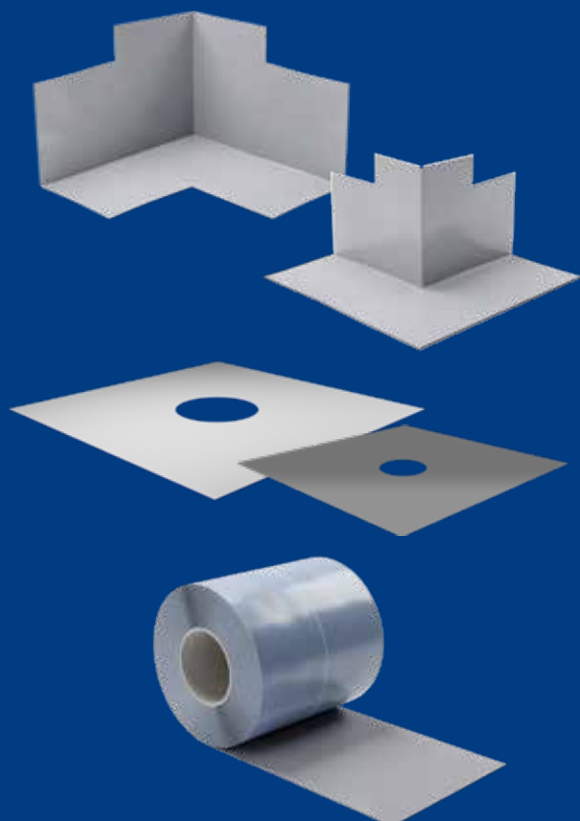
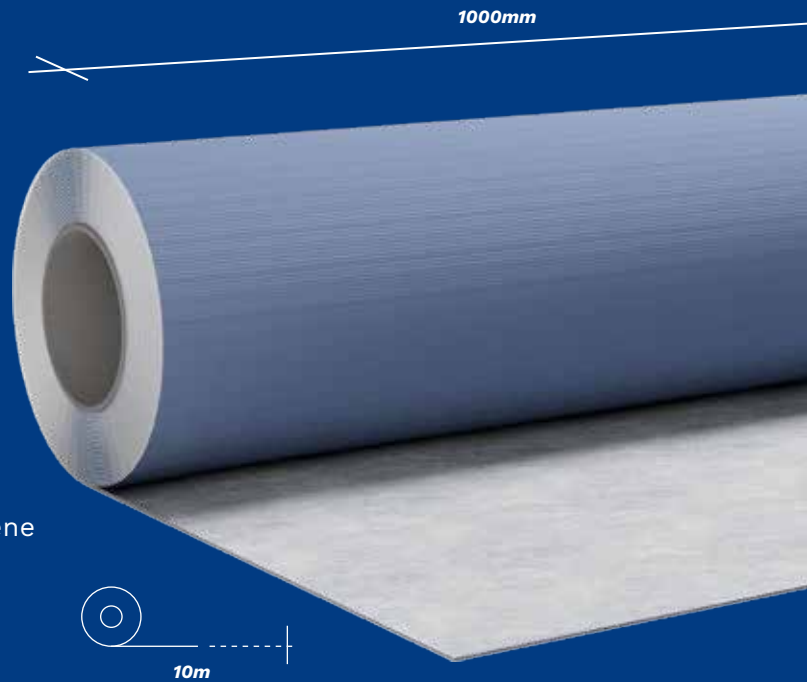
BOSTIK

Dampfix® Peel N Stick Waterproofing Sheet Membrane

The innovative design of the Premium Sealing membrane requires no drying and can be tiled directly after laying, reducing installation time*. Suitable for indoor applications like domestic bathrooms and showers.



- ① **Substrate:** Polypropylene non-woven
- ② **Membrane:** Modified low density polyethylene
- ③ **Coating:** Self-adhesive butyl rubber, high elastic, resistant to ageing
- ④ **Liner:** Crepped release foil



ACCESSORIES

DAMPFIX® PS INTERNAL AND EXTERNAL PREFORMED CORNERS:

Self-adhesive internal and external preformed corners with release liner.

DAMPFIX® PS FOIL FLOOR AND WALL PIPING COLLARS:

Self-adhesive butyl rubber floor and wall pipping collars with release liner.

DAMPFIX® PS FOIL TAPE:

Self-adhesive butyl rubber coated polyethylene foil with release liner with overlaps for easy removal.

*Compared to traditional Liquid Waterproofing Membranes which may need multiple coats and up to 72 hours for flood test.

*Before use refer to current Technical Data Sheet and Safety Data Sheet